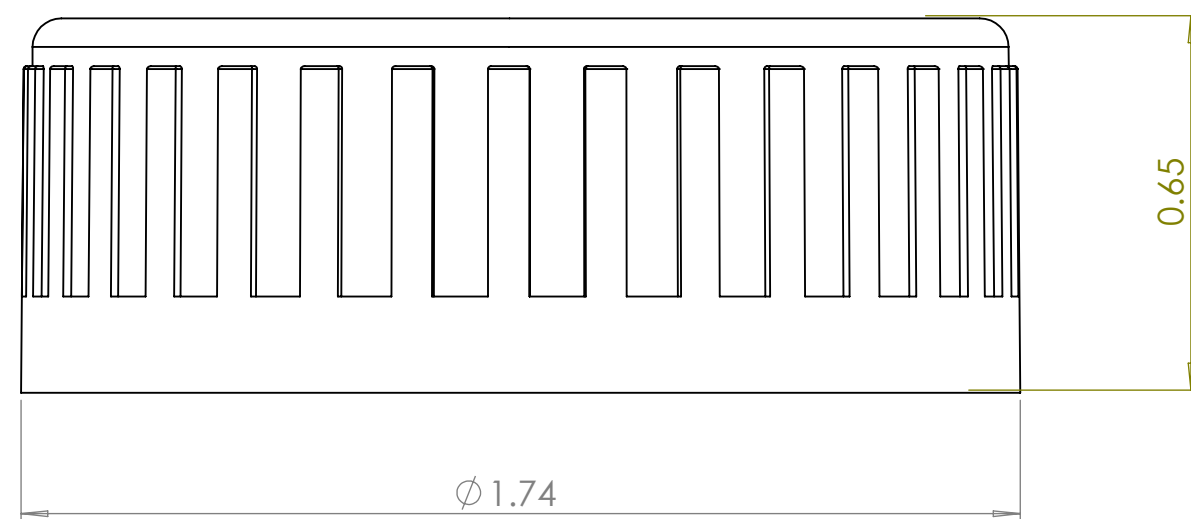
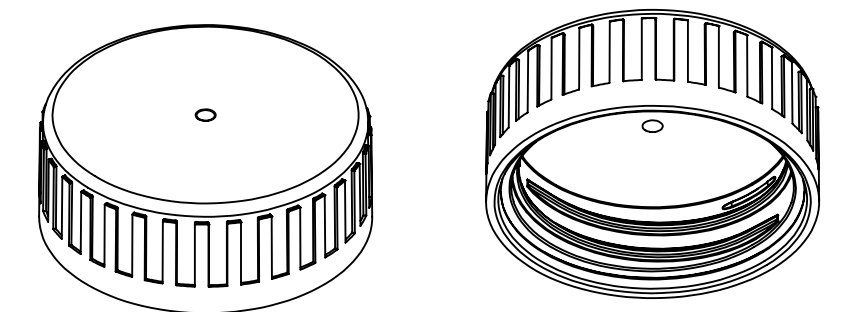


SECTION A-A



- NOTE(S):
1. THREAD FORM - 38-400
  2. PITCH - 0.167" (6 T.P.I.)
  3. THREAD TURNS - 1.25



**PROPRIETARY AND CONFIDENTIAL**  
 THE INFORMATION CONTAINED IN THIS DRAWING IS THE SOLE PROPERTY OF PHARMACY-LITE. ANY REPRODUCTION IN PART OR AS A WHOLE WITHOUT THE WRITTEN PERMISSION OF PHARMACY-LITE IS PROHIBITED.

UNLESS OTHERWISE SPECIFIED:		DRAWN	NAME	DATE
DIMENSIONS ARE IN INCHES		BC	BC	11/14/25
TOLERANCES:		CHECKED		
FRACTIONAL ± 1/32		ENG APPR.		
ANGULAR: MACH ± 0.1°		MFG APPR.		
BEND ± 2.5°		Q.A.		
TWO PLACE DECIMAL ±0.015		COMMENTS:		
THREE PLACE DECIMAL ±0.005				
INTERPRET GEOMETRIC TOLERANCING PER:				
MATERIAL				
POLYPROPYLENE				
FINISH				
NEXT ASSY	USED ON			
APPLICATION				
DO NOT SCALE DRAWING				

<b>PAC-LITE</b>		
250 Warden Ave., Elyria, OH 44035 844-527-5483		
TITLE: <b>38mm-EZ CR CAP</b>		
SIZE	DWG. NO.	REV
<b>C</b>	<b>EZ-38 CR/P000CD</b>	<b>0</b>
SCALE: 3:1	WEIGHT:	SHEET 1 OF 1